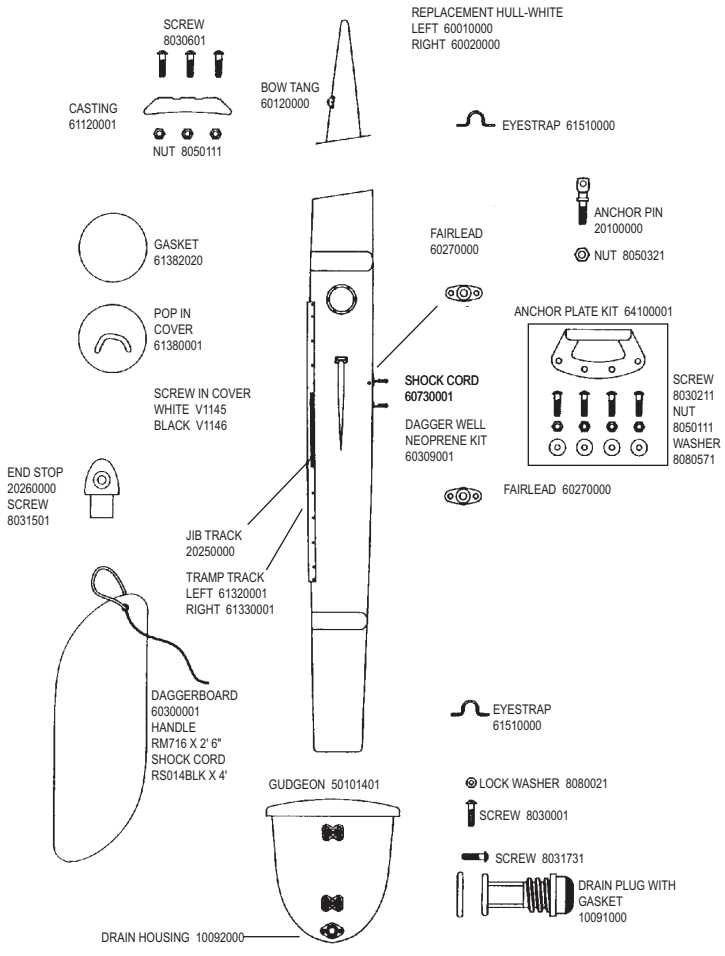


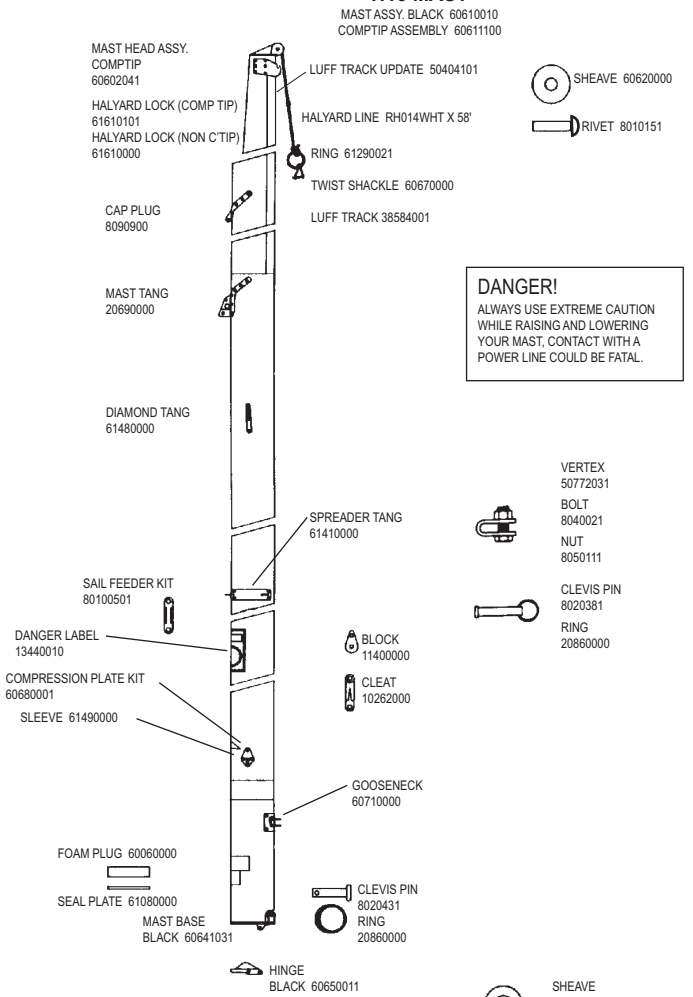
Blank Page

(for page alignment only)

H18 HULL/DECK

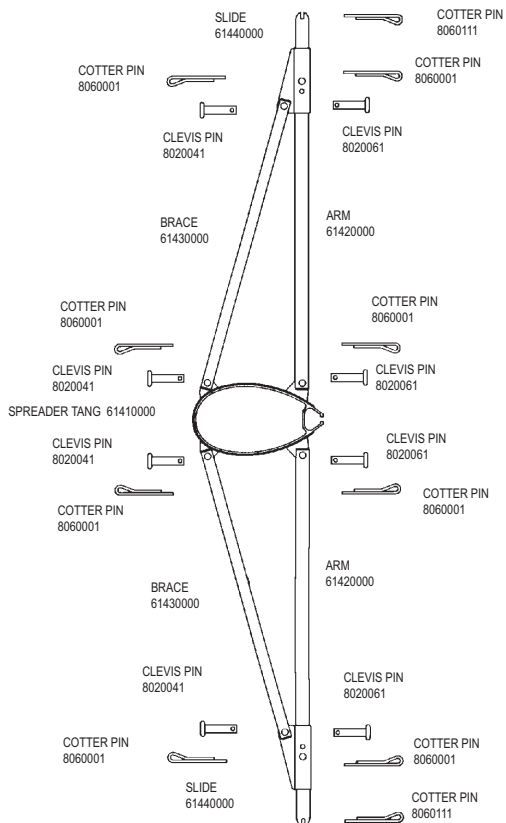


H18 MAST

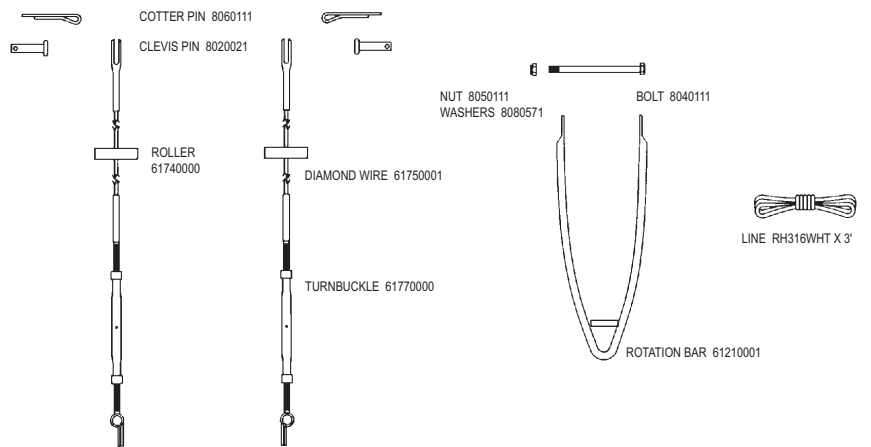


DANGER!
ALWAYS USE EXTREME CAUTION WHILE RAISING AND LOWERING YOUR MAST. CONTACT WITH A POWER LINE COULD BE FATAL.

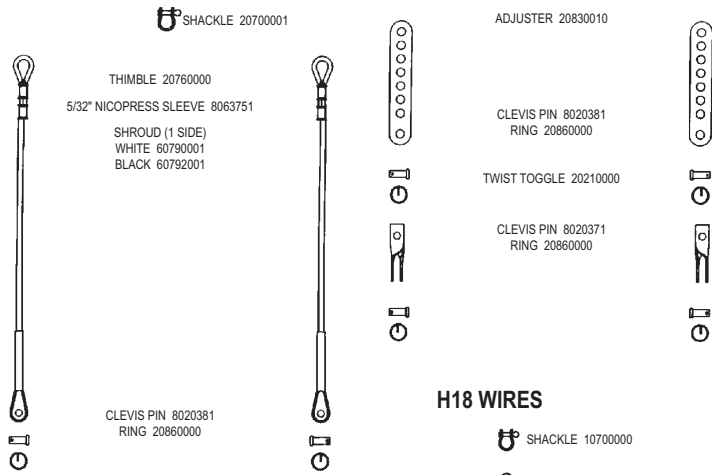
H18 SPREADERS



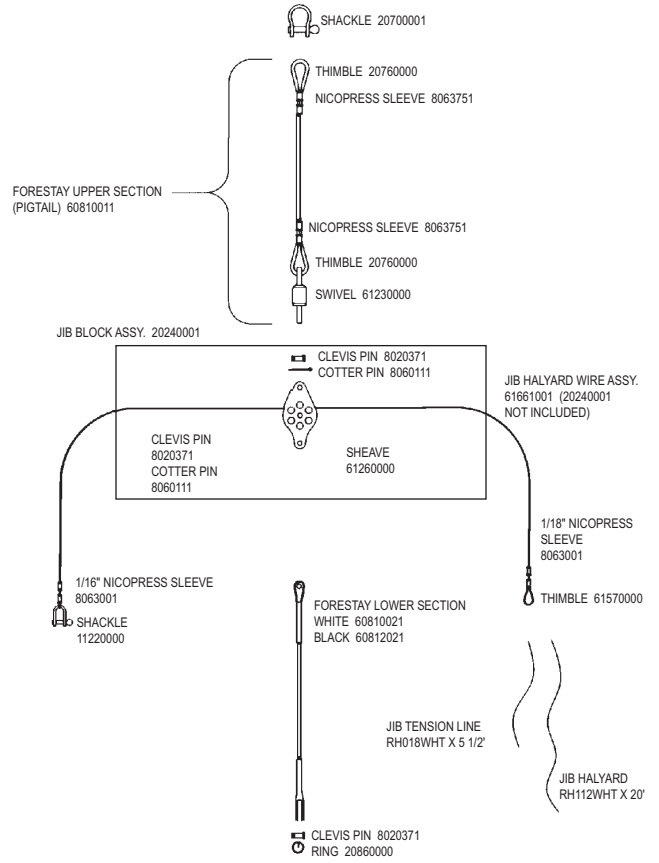
H18 DIAMOND WIRES, ROTATION ARM



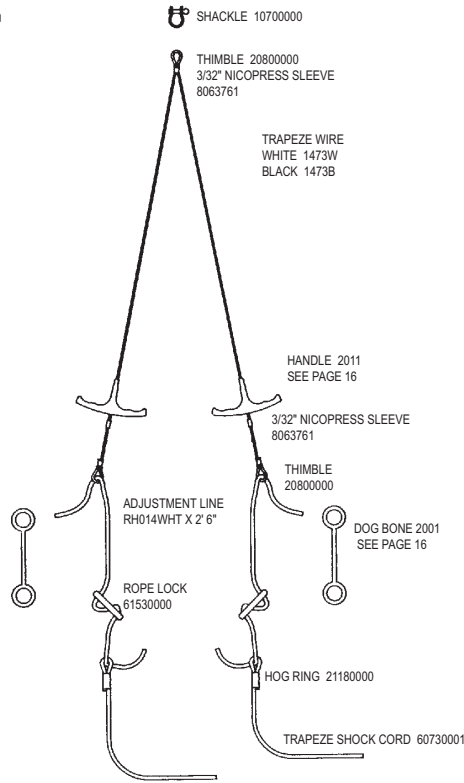
H18 SHROUDS & ADJUSTERS



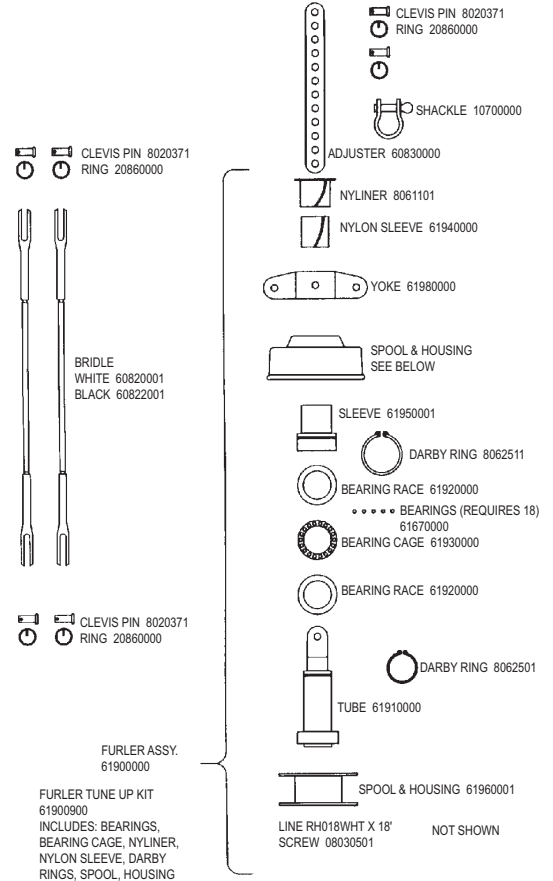
H18 FORESTAY & JIB HALYARD



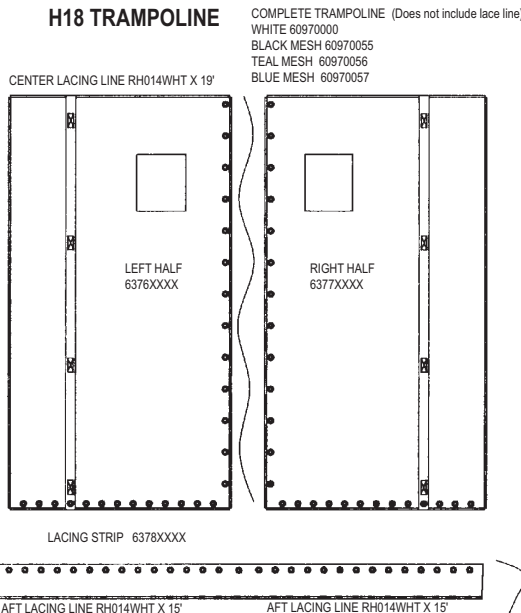
H18 WIRES



H18 ROLLER FURLER & BRIDLES

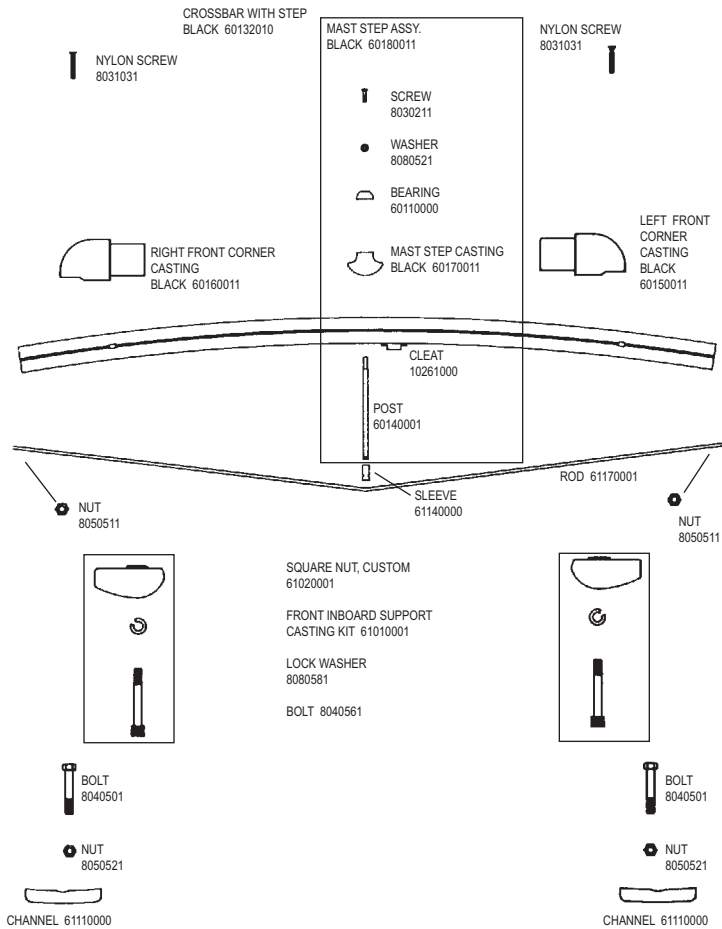


H18 TRAMPOLINE



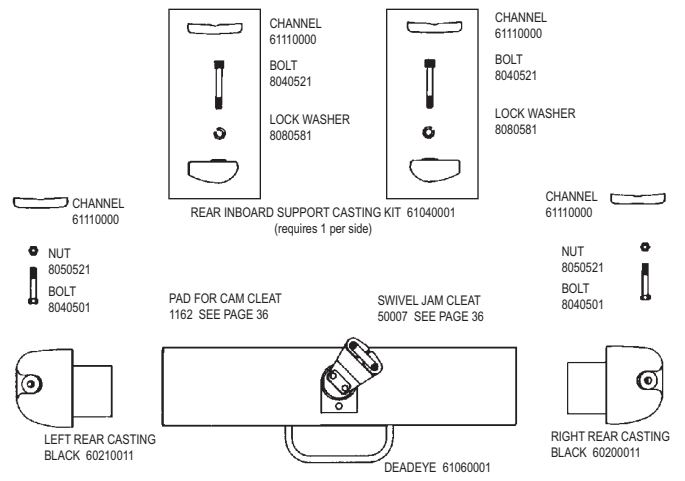
H18 RIVET GUIDE	
() Indicates quantity needed to fasten part.	
MAST	
HEAD	8010131 (2)
HALYARD HOOK	8011231 (6)
TANG	8010181 (12)
DIAMOND TANG	8010181 (3)
SPREADER TANG	8010181 (8)
COMPRESSION PLATE	8010181 (4)
GOOSENECK PLATE	8010131 (2)
GOOSENECK CLEAR	8010131 (2)
GOOSENECK BLOCK	8010131 (2)
BASE	8010131 (2)
(Note: all 8010181 mast rivets require 08011291 rivet caps)	
REAR CROSSBAR	
CORNER CASTING	8011231 (6)
INBOARD SUPPORT	8010131 (2)
SWIVEL JAMMER	8010201 (1)
	8031501 (2)
	8031231 (1)
	8080011 (1)
	8050801 (1)
DEAD EYE	8010181 (4)
HULL	
TRAMPOLINE TRACK (backup washers required on above, 61360000)	8010121 (9)
ACCESS PORT FLANGE	8010901 (12)
EYE STRAP	8010131 (2)
BOOM	
END CAP	8010131 (2)
FRONT CROSSBAR	
MAST STEP	8010131 (4)
CORNER CASTING	NONE USED
INBOARD SUPPORT	8010131 (2)
JAM CLEAT	8010181 (2)
RUDDER (UPPER CASTING)	
CASTING	8011231 (3)
END CAP	8010131 (2)
SAIL HARDWARE	
HEADBOARD	8010020 (16)
MAIN CLEW PLATE	8010020 (10)
BATTEN POCKET	8010020 (4)
JIB CLEW PLATE	8010020 (6)
(above rivets requires setting machine which is not available in a hand tool.)	

H18 FWD CROSSBAR



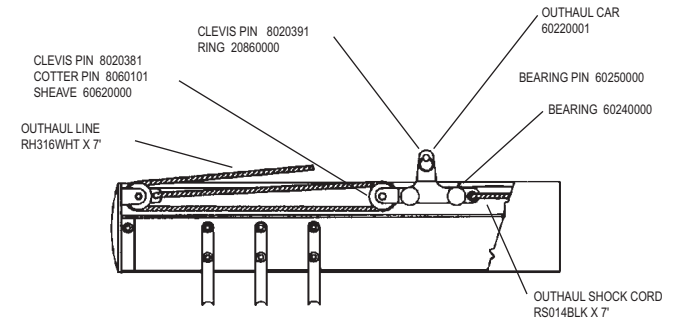
H18 REAR CROSSBAR

REAR CROSSBAR - EXTRUSION ONLY
BLACK 60191211

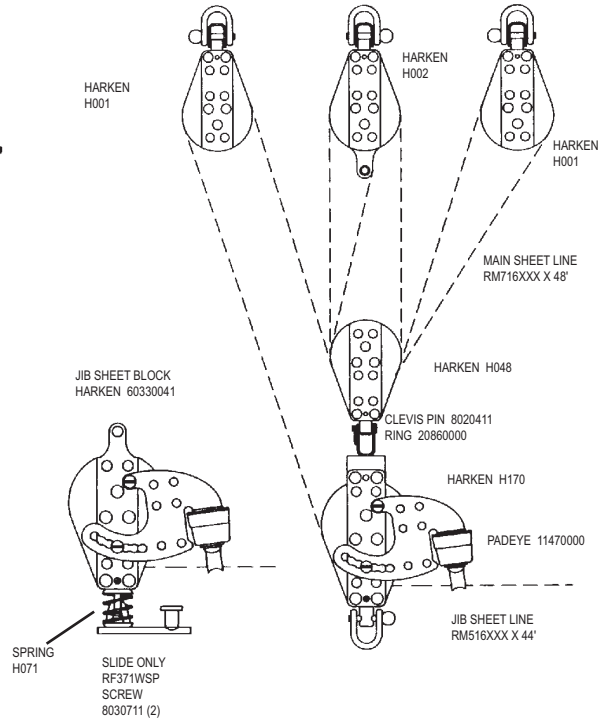
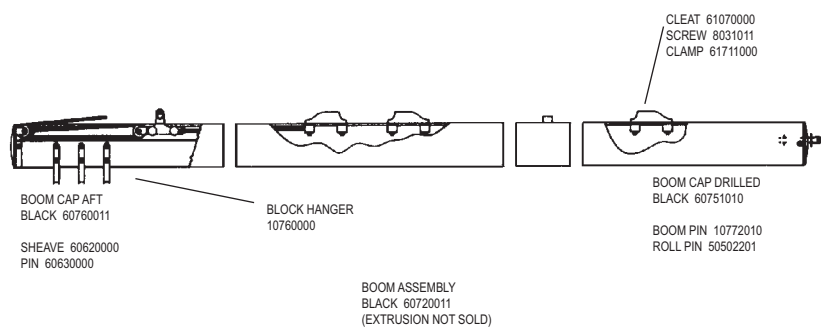


H18 BOOM

OUTHAUL CAR ASSY 60220001 (OUTHAUL AND SHOCK CORD NOT INCLUDED)



H18 BLOCK SET WITH LINE



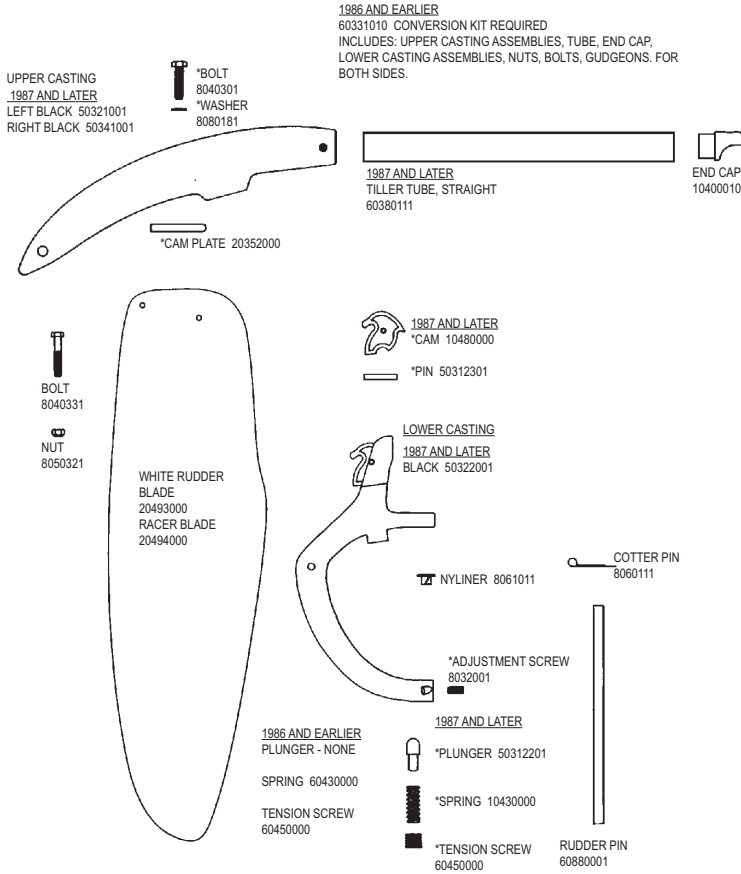
- TRAVELER
61800001
- BOLT 8040301
 - DECK PLATE 61870000
 - SPACER 61880000
 - SHEAVE 61890000
 - NUT 8050311
 - CAR SUB ASSY. 61842000
 - COTTER PIN 8060121
 - ROLLER SKID 61810000
 - BUSHING SHAFT 61830000
 - BEARING SET 61852000
 - CLEVIS PIN 8020431



To order from your nearest HOBIE dealer call
1 (800) HOBIE-49
www.hobiecat.com

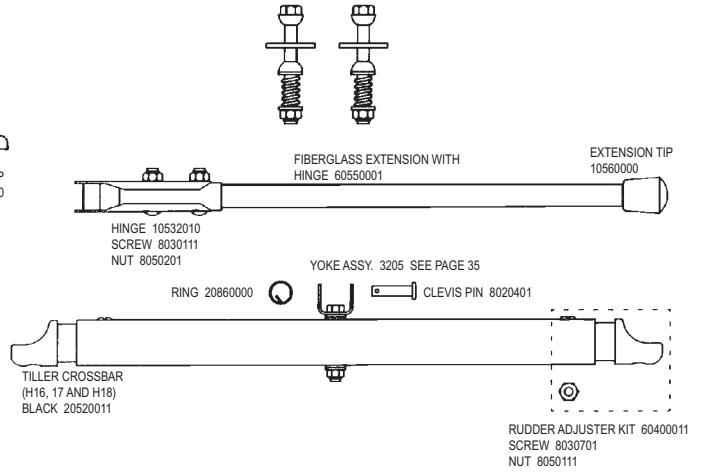
H18 RUDDER ASSEMBLY

* = SUB ASSEMBLY PART / INCLUDED WITH CASTING



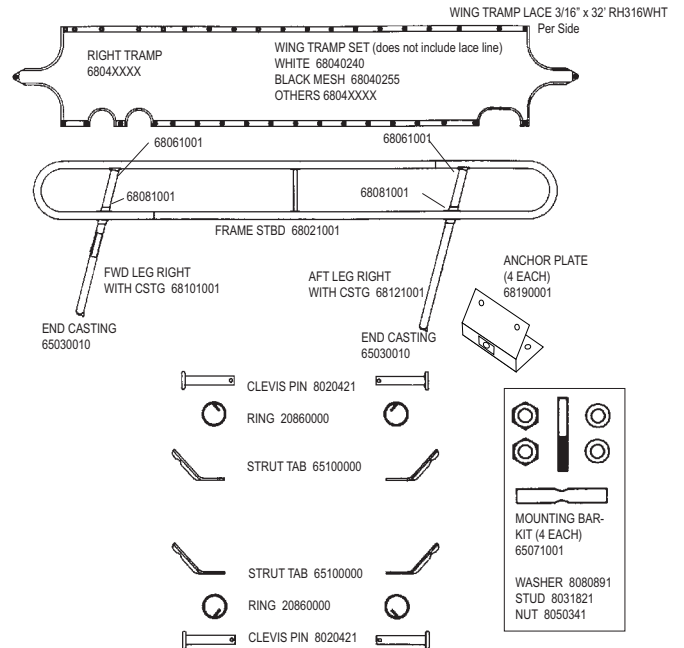
H18 TILLER CROSSBAR & EXTENSION

TILLER CONNECTOR KIT 11520005



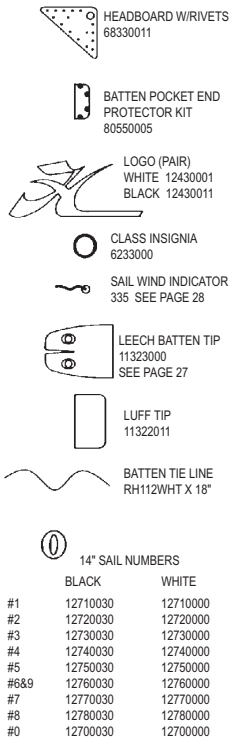
SX18 WINGS

WING SET W/O TRAMPOLINES 68001000



H18 MAIN SAIL & BATTENS

60991XXX H18 MAIN SAIL SEE NUMERICAL SECTION
OR SAIL COLOR SELECTION SHEETS, PAGE 21



H18 JIB SAIL

60992XXX
SEE SAIL BROCHURE

SAIL WIND INDICATOR 335 SEE PAGE 28

JIB SHEET RY516XXX X 45"

SHACKLE 10870000

CLEW BLOCK 20680000

CLEW PLATE 12240000

LUFF CLEAT KIT 62260001 (NOT SHOWN)

DOWNHAUL LINE RH316WHT X 7"

SAIL BAG 21310000

MAIN CLEW PLATE-PAIR (W/RIVETS) 62270000

HOBIE 18

- BATTEN #10 24 1/8"
- BATTEN #9 39 1/16"
- BATTEN #8 56 5/16"
- BATTEN #7 68 13/16"
- BATTEN #6 79 5/16"
- BATTEN #5 87 5/16"
- BATTEN #4 93 7/8"
- BATTEN #3 97 5/16"
- BATTEN #2 101 5/16"
- BATTEN #1 101 5/16"

HOBIE 18SX

- BATTEN #9 28 1/2"
- BATTEN #8 46 1/8"
- BATTEN #7 67 7/8"
- BATTEN #6 83 5/16"
- BATTEN #5 93 7/8"
- BATTEN #4 100 9/16"
- BATTEN #3 103 3/4"
- BATTEN #2 104 11/16"
- BATTEN #1 102 11/16"

62000001 HOBIE 18 BATTEN SET / 68000001 H18SX BATTEN SET
(FOR INDIVIDUAL BATTENS SEE UNIVERSAL BATTENS ON PAGE 27)

FOR HOT STICK SEE FX6
FOR MAG TILLER STD SIZE
SEE PIN 65050000

SX WINGS PARTS KIT 68060101 (EVERYTHING EXCEPT WINGS, TRAMPS, LINES AND EXTENSION)